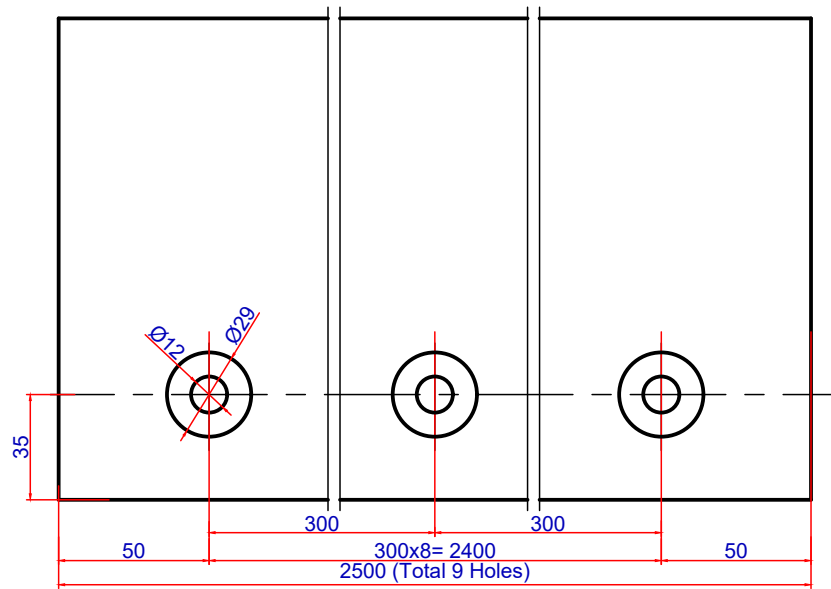
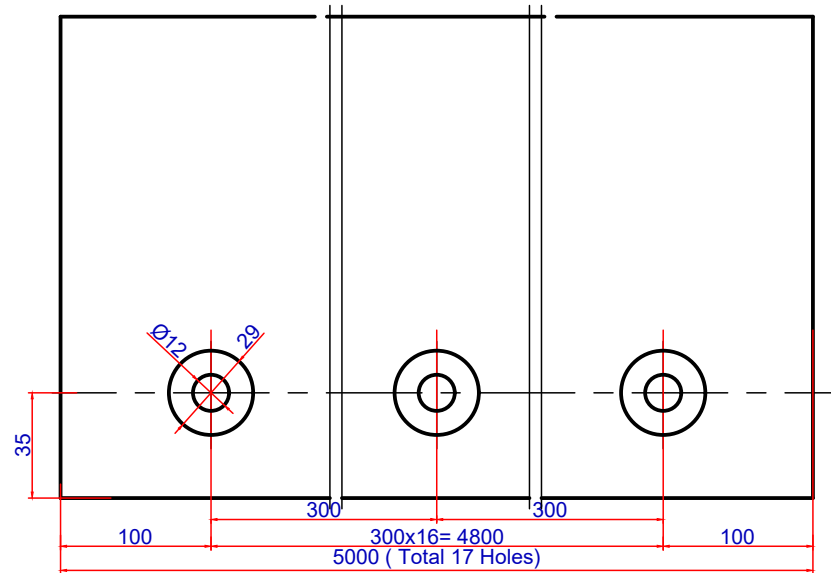


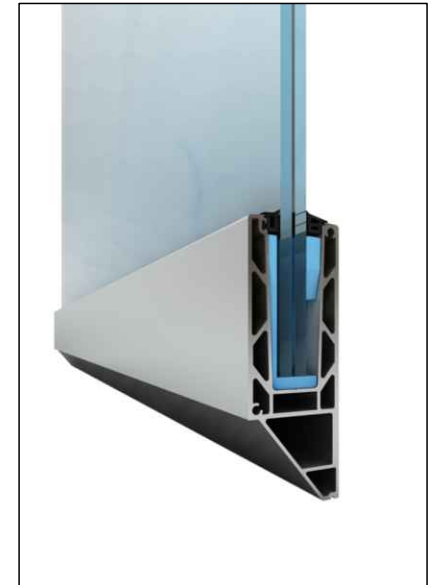
KE 120 Front View



Screw Holes Details (2500mm)



Screw Holes Details (5000mm)



Perspective



Wind and Impact max values

Ağırlık (kg/m) 5.480

NO.Pieces	Part name and description	Part NO	Drawing NO	Material	Düşünceler
Revision					
Designer		25.03.2020			
Control		25.03.2020			
Supervisor					
Scale	KE 120 Drawing (11600)			Drawing NO.	
1:1				M-11600	

